

By-pass Tray Type 1232 (B490)

This parts catalog includes MB No. 1 to 4

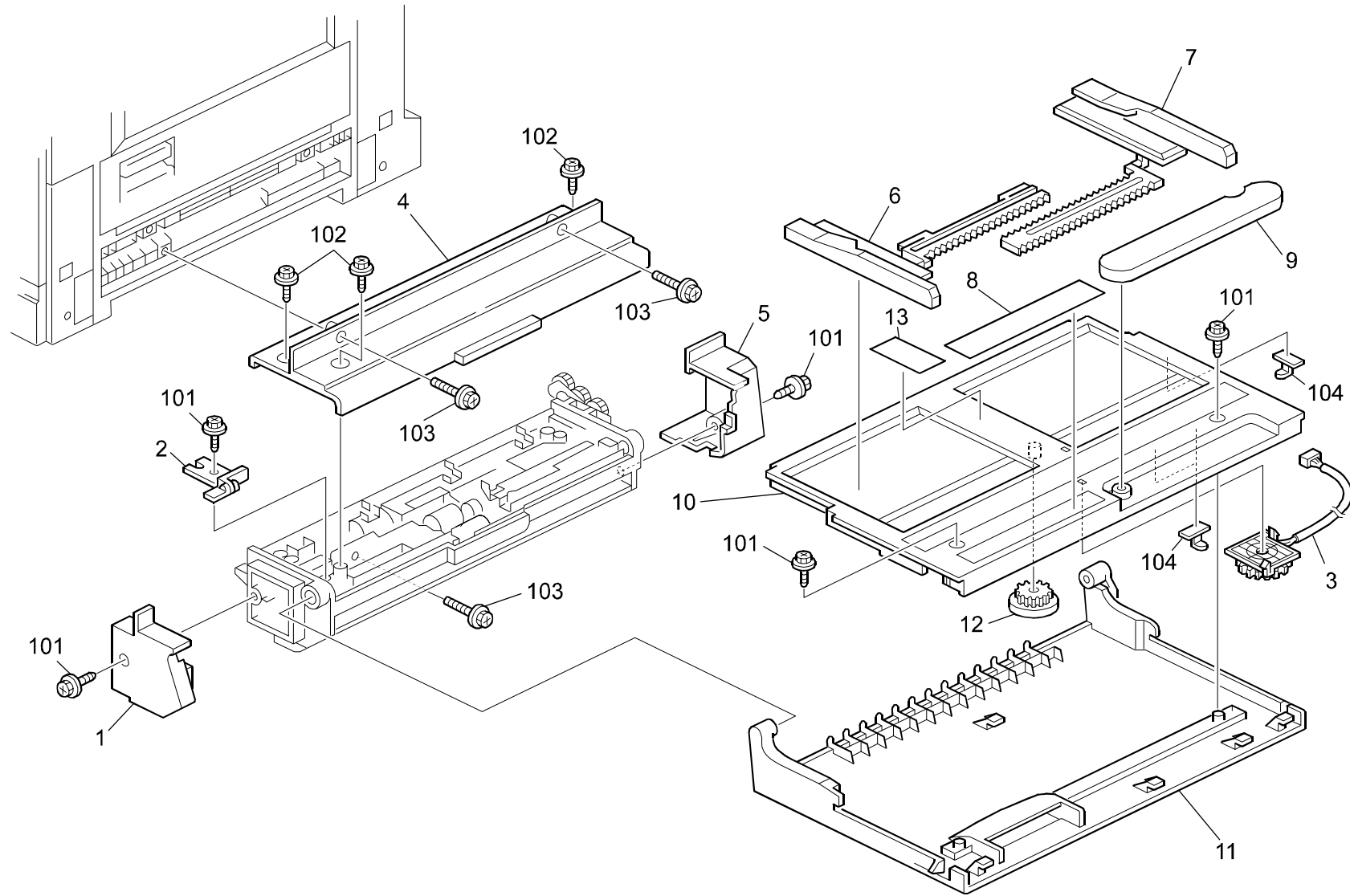
By-pass Tray Type 1232 (B490)

PARTS CATALOG

This catalog gives the numbers and names of parts on this machine.

1.BY-PASS TRAY 1 (B490) 2
2.BY-PASS TRAY 2 (B490) 4
PARTS INDEX **7**

1.BY-PASS TRAY 1 (B490)

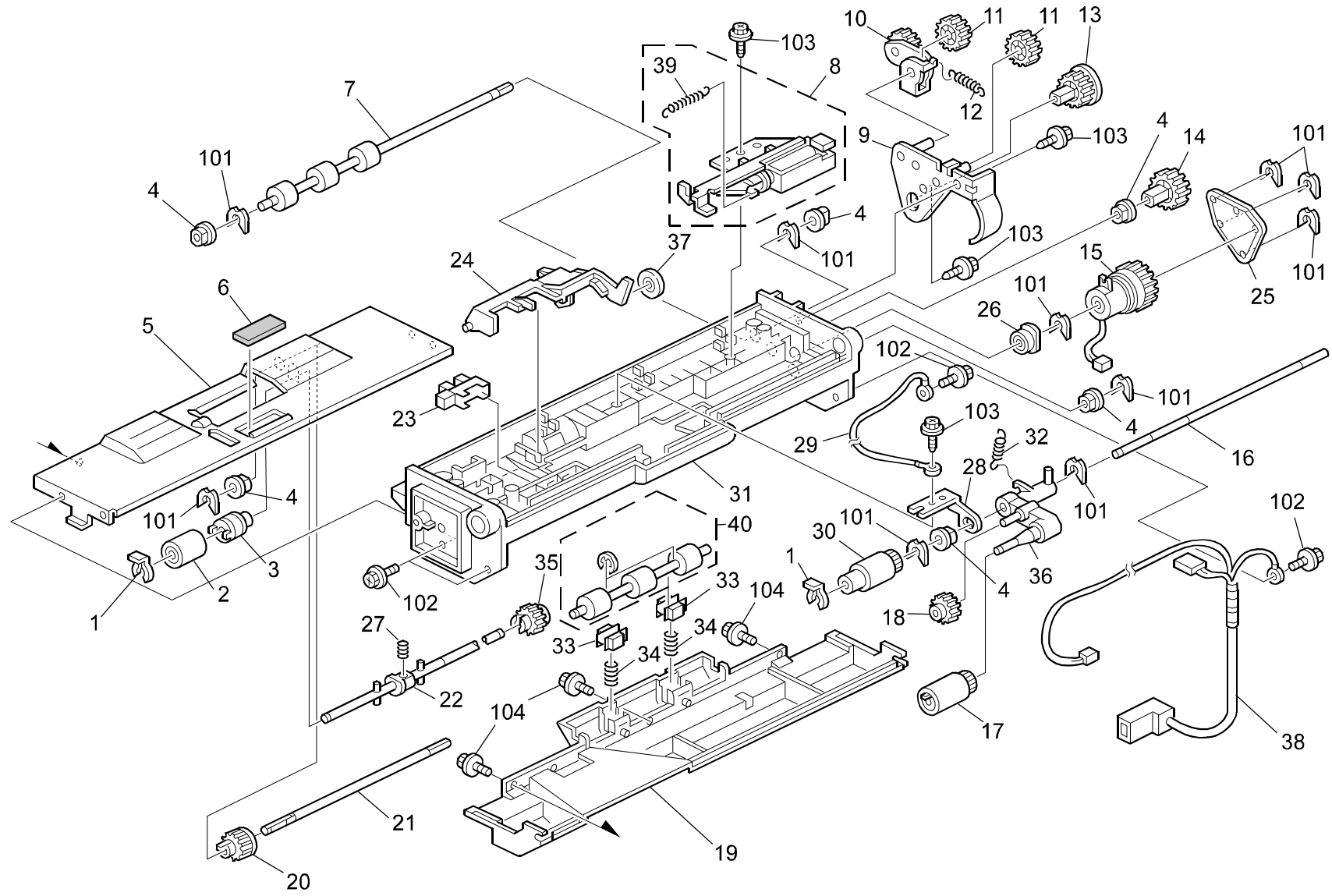


1.BY-PASS TRAY 1 (B490)

Index No.	Part No.	Description	Q'ty Per Assembly
1	G304 6859	Front Cover - By-pass Feed	1
2	G304 6868	Hinge Lock	1
3	B154 6835 B490 6835	Rotary Switch:Paper Size Sensor x/o MB3	1
4	G304 6848	Upper Cover - By-pass Feed	1
5	B490 6847	Rear Cover - By-pass Feed	1
6	G304 6841	Front Side Fence	1
7	G304 6842	Rear Side Fence	1
8	G304 6813	Decal - By-pass Feed Direction	1
9	G060 2905	Paper Guide - Manual Feed Tabl	1
10	G304 6839	Manual Feed Table	1
11	B490 6862 B490 6840	Cover - By-pass Feed Table x/o MB4	2
12	G012 3050	Side Fence Gear	1
13	B490 2581 B051 2580	Bypass feed decal - English x/o MB1	1
13	B490 2582	Bypass feed decal - German MB1 ADDED	1
13	B490 2583	Bypass feed decal - Italian MB1 ADDED	1
13	B490 2584	Bypass feed decal - French MB1 ADDED	1
13	B490 2585	Bypass feed decal - Spanish MB1 ADDED	1

Index No.	Part No.	Description	Q'ty Per Assembly
101	0450 3008H	Tapping Screw - M3x8	
102	0451 3008H	Tapping Screw - M3x8	
103	0451 3010H	Tapping Screw - 3x10	
104	1105 0189	Cord Keep - K-104G	

2.BY-PASS TRAY 2 (B490)



2.BY-PASS TRAY 2 (B490)

Index No.	Part No.	Description	Q'ty Per Assembly
1	5447 2681	Snap Ring	2
2	AF03 2046	Separation Roller - Manual Feed	1
3	B180 2900	Torque Limiter:40mn·m 18mm	1
	G060 2900	o/o MB2	
4	AA08 2101	Bushing - 6x10x6	6
5	G304 6825	Guide Plate:Separator:Ass'y	1
	G304 6808	o/o MB2	
6	AF01 3016	Bottom Plate Pad	1
7	AF02 0640	Transport Roller:Drive:Manual Feed	1
	AF02 0543	o/o MB2	
8	B180 2937	DC Solenoid:Pickup:Sub-Ass'y	1
	G060 2937	o/o MB2	
9	B490 6833	Bracket:Drive:Transmission:Ass'y	1
	B490 6832	o/o MB2	
10	G304 6844	Arm:Tightener:Ass'y	1
	G304 6829	o/o MB2	
11	AB01 1223	Idler Gear - 25Z	2
12	AA06 0872	Spring	1
13	AB01 1224	Gear - 28Z	1
14	AB01 1222	Separation Drive Gear - 22Z	1
15	AX20 0260	Magnetic Clutch:245MN·M:Z35	1
	AX20 0230	x/o MB3	
16	AA14 0771	Shaft:Feed	1
	AA14 0742	o/o MB2	
17	AF03 0022	Pickup Roller	1
18	AB01 1387	Gear - 23Z	1
19	G304 6867	Lower Cover	1
20	AB01 1416	Gear - 20Z	1
21	AA14 0770	Shaft:Separator:Drive	1
	AA14 0741	o/o MB2	
22	G304 6827	Shaft:Separator:Driven:Ass'y	1
	G304 6810	o/o MB2	
23	AW02 0160	Paper Feed Sensor	1
	AW02 0056	x/o MB3	
24	G060 2931	Feeler - Paper End	1

Index No.	Part No.	Description	Q'ty Per Assembly
25	G304 6828	Guide Plate - Drive Gear	1
26	AA08 3018	Roller Clutch - 6x14x10	1
27	AA06 3499	Pressure Spring	1
28	G060 2914	Stopper Plate	1
29	G304 5333	Harness:Manual Feed:Ground Wire	1
	G304 5332	o/o MB2	
30	G047 3257	Feed Roller	1
31	G304 6804	By-pass Feed Housing	1
32	AA06 3568	Pressure Spring	1
33	AA08 0254	Bushing - M4	2
34	AA06 3401	Spring	2
35	AB01 1417	Gear - Separation Driven	1
36	G060 2932	Pick-up Arm - Manual Feed	1
37	A134 2661	Feeler Roller	1
38	B490 5432	Harness:Manual Feed:Unit	1
	B490 5431	o/o MB2	
39	G060 2933	Spring - Pick-up Arm	1
40	B154 2862	Roller:Driven:Ass'y	1
	A232 2862	o/o MB2	
101	0805 0089	Retaining Ring - M4	
102	0451 3008B	Tapping Screw - M3x8	
103	0450 3008B	Tapping Screw - M3x8	
104	0451 3008H	Tapping Screw - M3x8	

Parts Index

PM Parts Index

Section Name	Part No.	Description in Service Manual	Description in Parts Catalog	Q'ty Per Assembly	Page and Index No.
BY-PASS TRAY 2 (B490)	AF03 2046	Separation Roller - Manual Feed	Separation Roller - Manual Feed	1	5- 2
	AF03 0022	Pickup Roller	Pickup Roller	1	5- 17
	G047 3257	Feed Roller	Feed Roller	1	5- 30
	AF01 3016	Bottom Plate Pad	Bottom Plate Pad	1	5- 6

Parts Index

Part No.	Description	Page and Index No.
B490 2581	Bypass feed decal - English	3 - 13
B490 2582	Bypass feed decal - German MB1 ADDED	3 - 13
B490 2583	Bypass feed decal - Italian MB1 ADDED	3 - 13
B490 2584	Bypass feed decal - French MB1 ADDED	3 - 13
B490 2585	Bypass feed decal - Spanish MB1 ADDED	3 - 13
B490 5431	o/o MB2	5 - 38
B490 5432	Harness:Manual Feed:Unit	5 - 38
B490 6832	o/o MB2	5 - 9
B490 6833	Bracket:Drive:Transmission:Ass'y	5 - 9
B490 6835	x/o MB3	3 - 3
B490 6840	x/o MB4	3 - 11
B490 6862	Cover - By-pass Feed Table	3 - 11
B490 6847	Rear Cover - By-pass Feed	3 - 5

Part No.	Description	Page and Index No.
A134 2661	Feeler Roller	5 - 37
A232 2862	o/o MB2	5 - 40
B051 2580	x/o MB1	3 - 13
B154 2862	Roller:Driven:Ass'y	5 - 40
B154 6835	Rotary Switch:Paper Size Sensor	3 - 3
B180 2900	Torque Limiter:40mn·m 18mm	5 - 3
B180 2937	DC Solenoid:Pickup:Sub-Ass'y	5 - 8
G012 3050	Side Fence Gear	3 - 12
G047 3257	Feed Roller	5 - 30
G060 2900	o/o MB2	5 - 3
G060 2905	Paper Guide - Manual Feed Tabl	3 - 9
G060 2914	Stopper Plate	5 - 28
G060 2931	Feeler - Paper End	5 - 24
G060 2932	Pick-up Arm - Manual Feed	5 - 36
G060 2933	Spring - Pick-up Arm	5 - 39
G060 2937	o/o MB2	5 - 8
G304 5332	o/o MB2	5 - 29
G304 5333	Harness:Manual Feed:Ground Wire	5 - 29
G304 6804	By-pass Feed Housing	5 - 31
G304 6808	o/o MB2	5 - 5
G304 6810	o/o MB2	5 - 22
G304 6813	Decal - By-pass Feed Direction	3 - 8
G304 6825	Guide Plate:Separator:Ass'y	5 - 5
G304 6827	Shaft:Separator:Driven:Ass'y	5 - 22
G304 6828	Guide Plate - Drive Gear	5 - 25
G304 6829	o/o MB2	5 - 10
G304 6839	Manual Feed Table	3 - 10
G304 6841	Front Side Fence	3 - 6
G304 6842	Rear Side Fence	3 - 7
G304 6844	Arm:Tightener:Ass'y	5 - 10
G304 6848	Upper Cover - By-pass Feed	3 - 4
G304 6859	Front Cover - By-pass Feed	3 - 1
G304 6867	Lower Cover	5 - 19
G304 6868	Hinge Lock	3 - 2

Part No.	Description	Page and Index No.
AA06 0872	Spring	5 - 12
AA06 3401	Spring	5 - 34
AA06 3499	Pressure Spring	5 - 27
AA06 3568	Pressure Spring	5 - 32
AA08 0254	Bushing - M4	5 - 33
AA08 2101	Bushing - 6x10x6	5 - 4
AA08 3018	Roller Clutch - 6x14x10	5 - 26
AA14 0741	o/o MB2	5 - 21
AA14 0742	o/o MB2	5 - 16
AA14 0770	Shaft:Separator:Drive	5 - 21
AA14 0771	Shaft:Feed	5 - 16
AB01 1222	Separation Drive Gear - 22Z	5 - 14
AB01 1223	Idler Gear - 25Z	5 - 11
AB01 1224	Gear - 28Z	5 - 13
AB01 1387	Gear - 23Z	5 - 18
AB01 1416	Gear - 20Z	5 - 20
AB01 1417	Gear - Separation Driven	5 - 35
AF01 3016	Bottom Plate Pad	5 - 6
AF02 0543	o/o MB2	5 - 7
AF02 0640	Transport Roller:Drive:Manual Feed	5 - 7
AF03 0022	Pickup Roller	5 - 17
AF03 2046	Separation Roller - Manual Feed	5 - 2
AW02 0056	x/o MB3	5 - 23
AW02 0160	Paper Feed Sensor	5 - 23
AX20 0230	x/o MB3	5 - 15
AX20 0260	Magnetic Clutch:245MN·M:Z35	5 - 15

Part No.	Description	Page and Index No.
0450 3008B	Tapping Screw - M3x8	5 -103
0450 3008H	Tapping Screw - M3x8	3 -101
0451 3008B	Tapping Screw - M3x8	5 -102
0451 3008H	Tapping Screw - M3x8	3 -102
0451 3008H	Tapping Screw - M3x8	5 -104
0451 3010H	Tapping Screw - 3x10	3 -103
0805 0089	Retaining Ring - M4	5 -101
1105 0189	Cord Keep - K-104G	3 -104

Part No.	Description	Page and Index No.
5447 2681	Snap Ring	5 - 1

Part No.	Description	Page and Index No.